



ET65

Tracked Conventional Tail Excavators



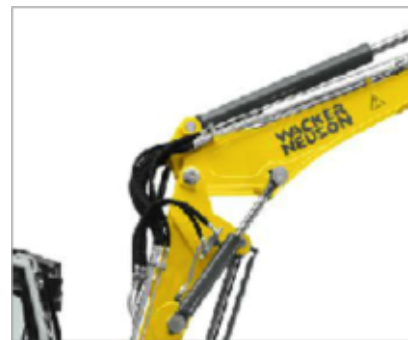
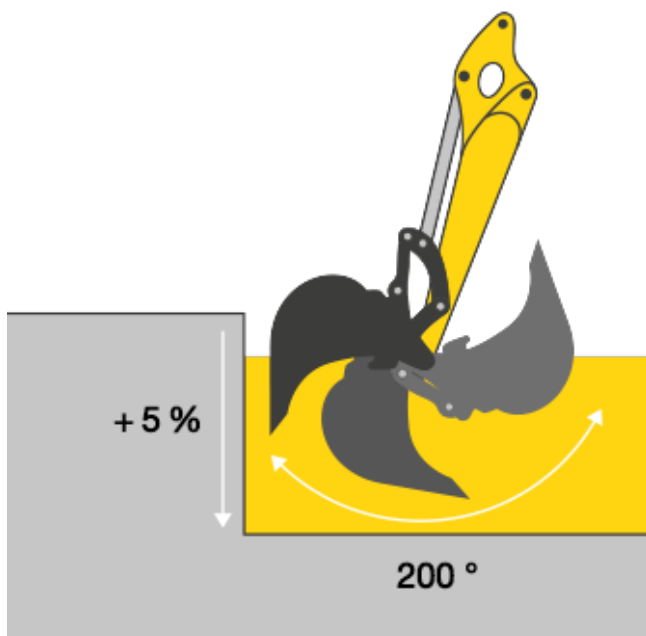
Performance and economic efficiency perfectly combined: ET65

The ET65 is an excavator like end users want it to be. A highly efficient machine that surprises with its compact design and maneuverability. Thanks to the high digging power and the powerful engine, the strong excavation performance is added bonus points that make the excavator into an all-rounder on the construction site. With the articulated boom, it also has a large reach, digging depth and dumping height.

- Precise and sensitive operation thanks to the load sensing hydraulic system with LUDV (load-independent flow control)*!
- Low consumption due to the economical ECO mode
- Up to 5 auxiliary control circuits for the most varied attachments
- Extremely compact and maneuverable
- Maintenance and service made easy due to the tiltable cabin as well as the diagnostic tool

* Load-independent flow distribution

Economical and powerful

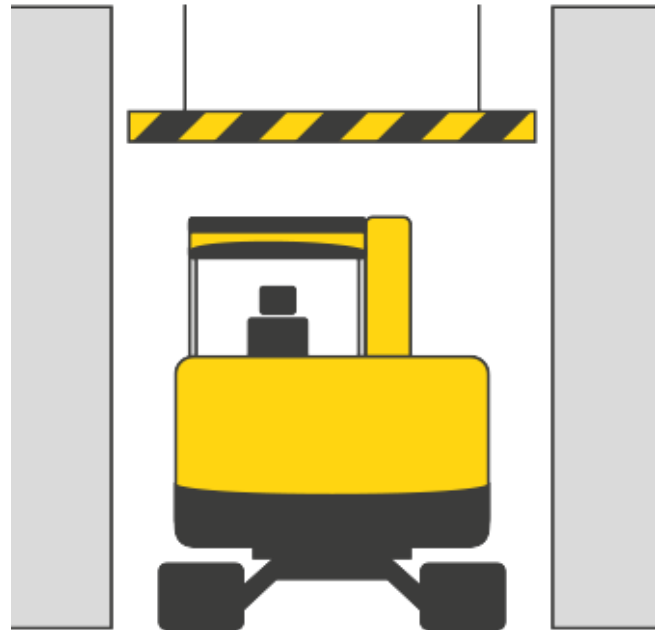


- Optimal force distribution when excavating and up to 20% more breakaway force: plunge in deeper and excavate more powerfully
- Less material loss in the bucket due to an expanded angle of rotation of 200 degrees
- Articulated boom for greater reach, digging depth and dumping height
- Up to 20% less fuel consumption

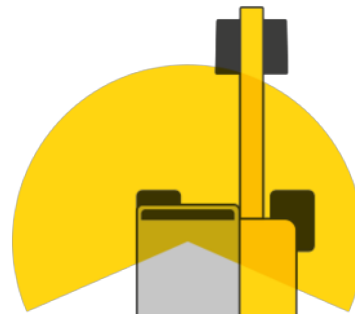


Reduced dimensions

- Significantly lower height and width than comparable competition models
- Easily master tight construction sites and low passages
- Higher level of stability due to the low center of gravity
- Easy to transport



Cabin, sight and operating comfort



- Innovative solution for the optimal view – boom to the right next to the cabin
- Operator comfort: spacious cabin, air cushioned seat and automatic air-conditioning system
- Innovative front windshield system: two-part windshield can be slid up and moved - rain roof position
- LED headlights for optimal illumination
- Rear camera for more safety when in reverse operation



Jog dial system

- Technology from the automotive sector
- For the direct control of central functions
- Intuitive to operate





Technical specifications

Operating data

Shipping weight min.	5,806 kg
Operating weight min.	6,078 kg
Biting force max.	30.8 kN
Breakaway force max.	50.7 kN
Digging depth max.	4,127 mm
Dumping height max.	4,953 mm
Digging radius max.	6,821 mm
Superstructure slewing speed	9 1/min
L x W x H	6,194 x 1,950 x 2,478 mm

Engine / Motor

Engine / Motor manufacturer	Perkins
Engine / Motor type	404F-22T
Engine / Motor	water-cooled 4-cylinder turbo diesel engine
Displacement	2,216 cm ³
RPM / speed	2,000 rpm
Engine performance according to ISO	39.5 kW
Battery	88 Ah
Tank capacity	85 l

Hydraulic system

Duty pump	Variable displacement pump and gear pump
Flow rate	144 l/min
Operating pressure for working and driving hydraulics	240 bar
Operating pressure swing gear	215 bar
Hydraulic oil tank	92 l

Wheel set

Travel speed max.	5.2 km/h
Chain width	400 mm
Ground clearance	284 mm



Dozer Blade

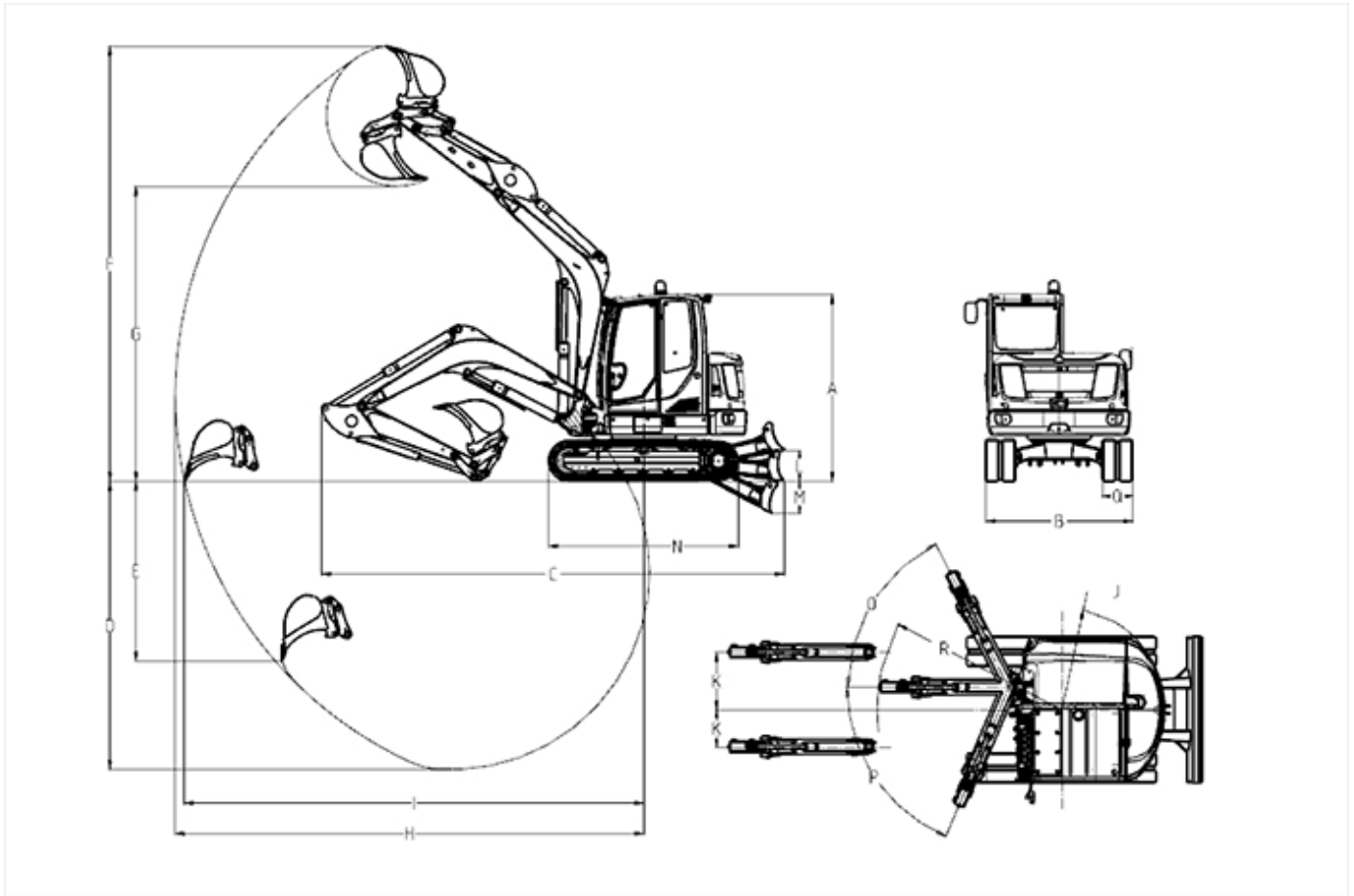
Width	1,950 mm
Stroke dozer blade above subgrade	403 mm
Stroke dozer blade below subgrade	427 mm

Sound level

Sound level (LwA) according to 2000/14/EC	97 dB(A)
Cabin - specified sound pressure level LpA according to ISO 6394	77 dB(A)



Dimensions



	monobloc boom	articulated boom
A Height mm	0	2,478
B1 Width Fahrwerk mm	1,950	1,950
Z1 Transport length kurzer LS mm	6,137	6,065
Z2 Transport length langer LS mm	6,128	6,194
D1 Digging depth kurzer LS mm	3,826	3,893
D2 Digging depth langer LS mm	4,126	4,193
E1 Insertion depth kurzer LS mm	2,383	2,764
E2 Insertion depth langer LS mm	2,656	3,036
-- Insertion height kurzer LS mm	5,773	6,537
-- Insertion height langer LS mm	5,955	6,770
G1 Dumping height kurzer LS mm	3,912	4,664
G2 Dumping height langer LS mm	4,094	4,898



K1	Digging radius kurzer LS mm	6,220	6,590
K2	Digging radius langer LS mm	6,504	6,877
H1	Range kurzer LS mm	6,097	6,475
H2	Range langer LS mm	6,387	6,772
R1	Rear swivel radius ohne Zusatzgewicht mm	1,363	1,363
M	Arm displacement auf Mitte Löffel rechts mm	766	766
N	Arm displacement auf Mitte Löffel links mm	492	492
O	Lift height über Planum mm	403	403
P	Scraping depth unter Planum mm	427	427
R2	Boom slewing radius Mitte mm	2,453	3,159
S	Length Laufwerkslänge gesamt mm	2,516	2,516
W1	Turning angle Armsystem nach rechts °	63	63
W3	Turning angle Armsystem nach links °	67	67
X	Chain width mm	400	400
Y1	Width Planierschild mm	1,950	1,950

ds = dipper stick

Please note

that product availability can vary from country to country. It is possible that information / products may not be available in your country. More detailed information on engine power can be found in the operator's manual; the stated power may vary due to specific operating conditions.

Subject to alterations and errors excepted. Applicable also to illustrations.

Copyright © 2016 Wacker Neuson SE.