



## ET20

Tracked Conventional Tail Excavators



### ET20 – The evolution of your working world.

Wacker Neuson sets new standards for compact excavators with its new generation of models in the 1.7 through 2.4 t class. Tried and tested innovations are retained and combined with completely new development approaches. The result: A comprehensively renewed machine class right down to the finest details, which promises greater efficiency and performance.

- Innovative, newly designed cab: The redeveloped cab of the ET range sets new standards in terms of clear layout, safety and user comfort with its completely redesigned interior.
- Powerful and efficient performance: The big diesel engines and new, innovative hydraulic system set new standards of operation.
- Maximum connection facilities with up to 4 auxiliary control circuits: Up to 4 additional control circuit options are available ex-works for all models of the ET range.
- Every ET model has its own, optimized undercarriage to guarantee maximum stability and superior drive characteristics in tough everyday conditions.
- Every ET model has its own, optimized boom system with different dipper stick lengths: Thanks to the strong boom system with a choice of two optional dipper stick lengths, every machine achieves maximum digging strength and excavation values.



## Technical specifications

### Operating data

Shipping weight min.	1,880 kg
Operating weight min.	2,025 kg
Biting force max.	13.08 kN
Breakaway force max.	19 kN
Digging depth	2,400 mm
Dumping height max.	2,720 mm
Digging radius	4,130 mm
L x W x H min.	4,030 x 990 x 2,295 mm

### Engine / Motor

Engine / Motor manufacturer	Yanmar
Engine / Motor type	3TNV76
Engine / Motor	Water-cooled 3-cylinder diesel engine
Displacement	1,116 cm <sup>3</sup>
RPM / speed	2,200 rpm
Engine performance acc. to ISO	13.4 kW
Battery Voltage	44 Ah
Tank capacity	24 l

### Hydraulic system

Duty pump	Double variable pump with 2 gear pumps
Flow rate max.	73 l/min
Operating pressure for working and traction hydraulics	200 bar
Operating pressure Slewing gear	150 bar
RPM / speed Superstructure	10 rpm
Hydraulic oil tank Contents	19 l

### Wheel set

Travel speed max.	4.1 km/h
Chain width	250 mm
Ground clearance	170 mm



Dozer Blade

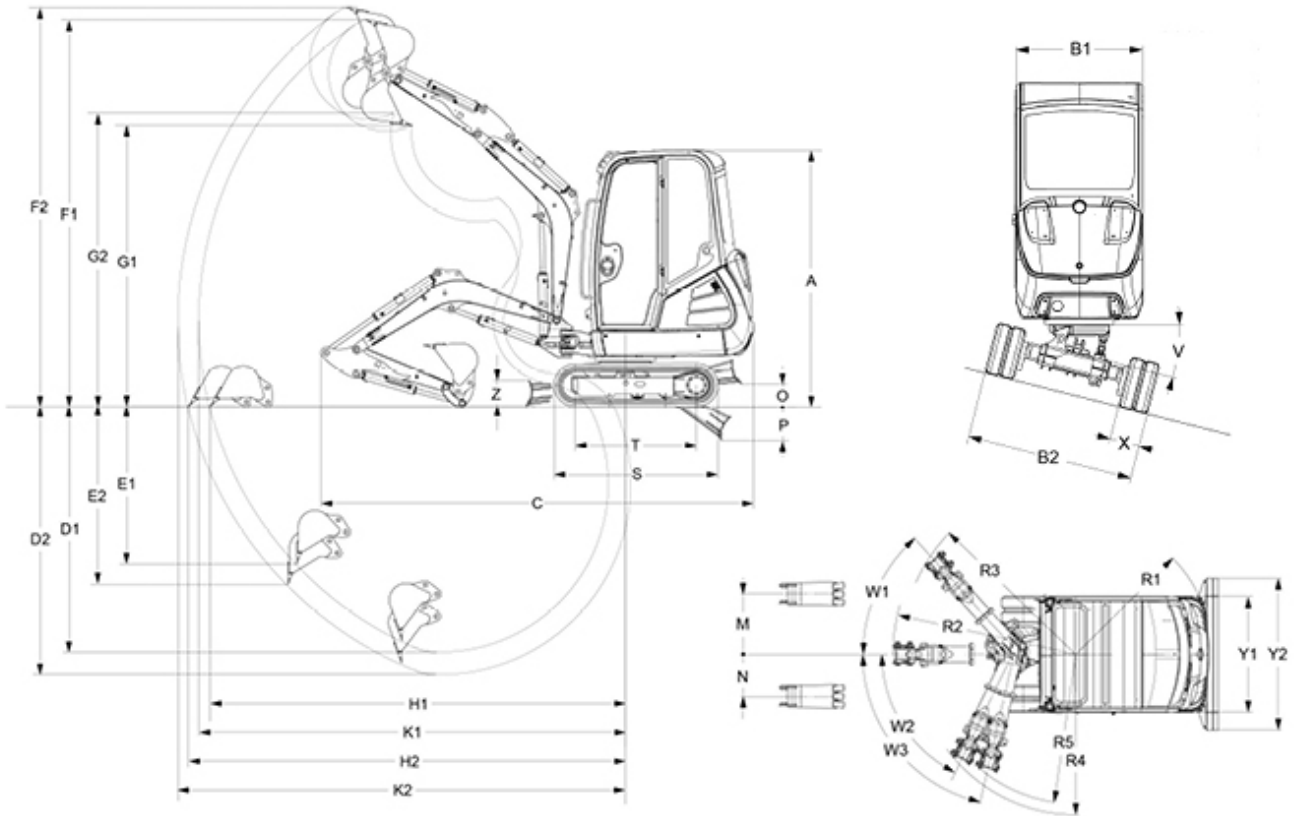
Width	990 mm
Height	220 mm
Stroke Standard dozer blade above ground	220 mm
Stroke Standard dozer blade below ground	300 mm

Sound level

Sound level (LwA) acc. to 2000/14/EC	93 dB(A)
Cabin - specified sound pressure level LpA acc. to ISO 6394	77 dB(A)



## Dimensions



<b>B1</b>	Width Superstructure mm	990
<b>B2</b>	Width undercarriage retracted mm	990
<b>B2</b>	Width undercarriage extended (telescopic undercarriage only) mm	1,300
<b>C</b>	Transport length mm	4,050
<b>D1</b>	Digging depth Max. (short dipper stick) mm	2,490
<b>D2</b>	Digging depth Max. (long dipper stick) mm	2,690
<b>E1</b>	Insertion depth Max., vertikal (short dipper stick) mm	1,670
<b>E2</b>	Insertion depth Max., vertikal (long dipper stick) mm	1,850
<b>F1</b>	Insertion height Max. (short dipper stick) mm	3,840
<b>F2</b>	Insertion height Max. (long dipper stick) mm	3,960
<b>G1</b>	Dumping height Max. (short dipper stick) mm	2,720
<b>G2</b>	Dumping height Max. (long dipper stick) mm	2,840
<b>K1</b>	Digging radius Max. (short dipper stick) mm	4,130



<b>K2</b>	Digging radius Max. (long dipper stick) mm	4,330
<b>H1</b>	Range Max., on the ground (short dipper stick) mm	4,030
<b>H2</b>	Range Max. , on the ground (long dipper stick) mm	4,230
<b>R1</b>	Rear swivel radius Min. mm	1,160
<b>M</b>	Arm displacement Max. , to centre of bucket, right side mm	520
<b>N</b>	Arm displacement Max. , to centre of bucket, left side mm	360
<b>O</b>	Lift height Max., of dozer blade above ground (short) mm	220
<b>O</b>	Lift height Max., of dozer blade above ground (long) mm	300
<b>P</b>	Scraping depth Max., of dozer blade below ground (short) mm	300
<b>P</b>	Scraping depth Max., of dozer blade below ground (long) mm	360
<b>R2</b>	Boom slewing radius centre mm	1,660
<b>R3</b>	Boom slewing radius right mm	1,580
<b>R4</b>	Boom slewing radius left lock mm	1,450
<b>R5</b>	Boom slewing radius left max. mm	1,350
<b>S</b>	Length Total crawler length (standard undercarriage) mm	1,710
<b>T</b>	Length Crawler length Sprocket wheel (standard undercarriage) mm	1,325
<b>W1</b>	Turning angle Max. of boom system to the right °	48
<b>W2</b>	Turning angle Max. of boom system to the left lock °	64
<b>W3</b>	Turning angle Max. of boom system to the left °	77
<b>Y1</b>	Width Dozer blade mm	990
<b>Y2</b>	Width Dozer blade width with extension (telescopic undercarriage only) mm	1,300
<b>Z</b>	Height Dozer blade mm	230

**Please note**

that product availability can vary from country to country. It is possible that information / products may not be available in your country. More detailed information on engine power can be found in the operator's manual; the stated power may vary due to specific operating conditions.

Subject to alterations and errors excepted. Applicable also to illustrations.

Copyright © 2016 Wacker Neuson SE.