



75Z3

Tracked Zero Tail Excavators



75Z3 – Watches your back for you.

The Wacker Neuson Zero Tails feel at home where other machines get into a tight spot. The compact zero tails inspire with their power, agility and superior comfort, thanks to their side-mounted engine and tail-end tanks.

- No tail swing and compact dimensions with laterally positioned engine and the valve control block, fuel tank and hydraulics oil tank in the rear.
- Spacious driver's cab with large door: Everything is designed for optimum practical advantage and working conditions.
- Comprehensive standard equipment and various individual options for additional facilities.
- Generously dimensioned service access.
- EASY LOCK: The innovative HSWS quick-hitch system is perfectly tailored to the kinematics of the 75Z3 and makes a significant contribution to improved working processes.



Technical specifications

Operating data

Shipping weight	7,450 kg
Operating weight	7,820 kg
Biting force max.	37.05 kN
Breakaway force max.	52.1 kN
Digging depth	4,030 mm
Dumping height max.	4,500 mm
Digging radius	7,070 mm
Superstructure slewing speed	8.7 1/min
L x W x H	6,480 x 2,300 x 2,670 mm

Engine / Motor

Engine / Motor manufacturer	Yanmar
Engine / Motor type	4TNV98
Engine / Motor	Water-cooled 4-cylinder diesel engine EPA III
Displacement	3,318 cm ³
RPM / speed	2,100 rpm
Engine performance acc. to ISO	43.7 kW
Battery	88 Ah
Tank capacity	93 l

Hydraulic system

Duty pump	Double variable and gear pump
Flow rate	209.3 l/min
Operating pressure for working and traction hydraulics	260 bar
Operating pressure Slewing gear	215 bar
Hydraulic oil tank	99 l

Wheel set

Travel speed max.	5 km/h
Chain width	450 mm
Ground clearance	375 mm



Dozer Blade

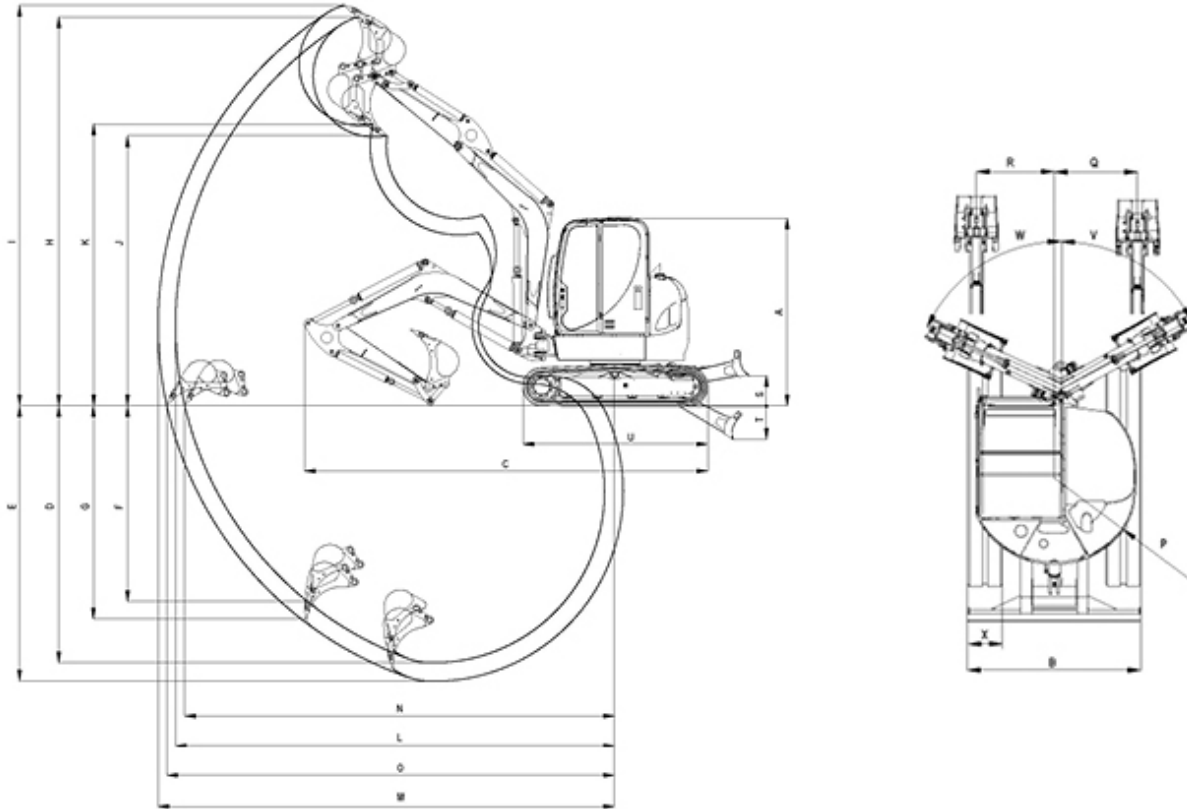
Width	2,300 mm
Height	500 mm
Stroke Above ground	485 mm
Stroke Below ground	480 mm

Sound level

Sound level (LwA) acc. to 2000/14/EC	98 dB(A)
Cabin - specified sound pressure level LpA acc. to ISO 6394	77 dB(A)



Dimensions



A	Height mm	2,679
B	Width mm	2,300
C	Transport length mm	6,480
D	Digging depth Max. (short dipperstick) mm	4,039
E	Digging depth Max. (long dipperstick) mm	4,339
F	Insertion depth Max. vertical (short dipperstick) mm	3,390
G	Insertion depth Max. vertical (long dipperstick) mm	3,681
H	Insertion height Max. (short dipperstick) mm	6,648
I	Insertion height Max. (long dipperstick) mm	6,814
J	Dumping height Max. (short dipperstick) mm	4,511
K	Dumping height Max. (long dipperstick) mm	4,677
L	Digging radius Max. (short dipperstick) mm	7,144
M	Digging radius Max. (long dipperstick) mm	7,385



N	Range Max. on the ground (short dipperstick) mm	6,970
O	Range Max. on the ground (long dipperstick) mm	7,246
P	Rear swivel radius Min. mm	1,150
Q	Arm displacement Max. to middle of bucket right side mm	950
R	Arm displacement Max. to middle of bucket left side mm	770
S	Lift height Max. levelling blade above formation mm	485
T	Scraping depth Max. of levelling blade below formation mm	480
U	Length of running gear mm	2,845
V	Turning angle Max. arm system to the right °	63
W	Turning angle Max. arm system to the left °	67
X	Width mm	450

Please note

that product availability can vary from country to country. It is possible that information / products may not be available in your country. More detailed information on engine power can be found in the operator's manual; the stated power may vary due to specific operating conditions. Subject to alterations and errors excepted. Applicable also to illustrations.
Copyright © 2016 Wacker Neuson SE.